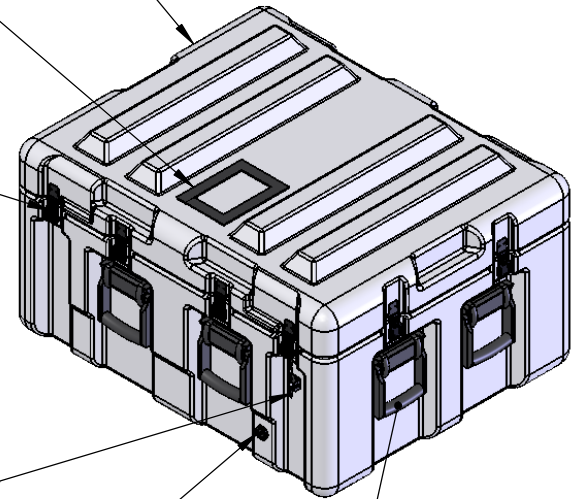
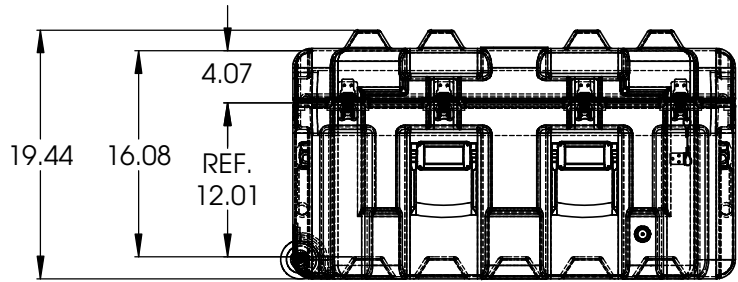
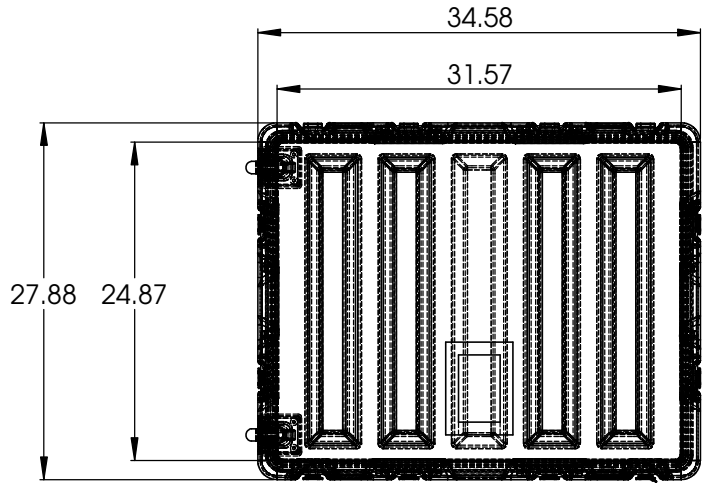


REVISIONS			
LEVEL	DESCRIPTION	APPROVED	DATE



- 76MM EDGE CASTERS (NOT SHOWN)
- OPTIONAL 3X5 CARD HOLDER
- 12X STANDARD LATCHES  
(OPTIONAL 4X HINGES/8X LATCHES FOR HINGED LID AVAILABLE)
- OPTIONAL PAD LOCK HASP
- OPTIONAL PRESSURE RELIEF VALVE  
(OPTIONAL HUMIDITY INDICATOR AVAILABLE)
- (4X) STANDARD PLASTIC HANDLES  
(OPTIONAL SPRING LOADED HANDLES AVAILABLE)  
(SHOWN WITH 8X STANDARD PLASTIC HANDLES)

MATERIALS:	DIMENSIONAL TOLERANCES			
ROTOMOLDED POLYETHYLENE	ALL DIMENSIONS IN INCHES UNLESS NOTED OTHERWISE			
	00 - 06"	0.020 + 0.005 * (DIMENSION)		
	06 - 50"	0.030 + 0.005 * (DIMENSION)		
	50 - 100"	0.030 + 0.006 * (DIMENSION)		
ONE COMPLETE SET INCLUDES:	ASSEMBLY:	DRAWN	J THOMSON	06/13/13
ONE (1) CASE , AS SHOWN	XXXX	CHECKED	M SCHRAPP	
		APPROVED	J THOMSON	

NAME	DATE
J THOMSON	06/13/13
TITLE:	
AMERIPACK AP3124-1204WH ROTOMOLD CASE	
SIZE	DWG. NO.
C	AP3124-1204WH
SCALE: N/A	REV



SCALE: N/A

SHEET 1 OF 1

**PROPRIETARY AND CONFIDENTIAL**  
 THE INFORMATION CONTAINED IN THIS DRAWING IS THE SOLE PROPERTY OF AMERIPACK. ANY REPRODUCTION IN PART OR AS A WHOLE WITHOUT THE WRITTEN PERMISSION OF AMERIPACK IS PROHIBITED.