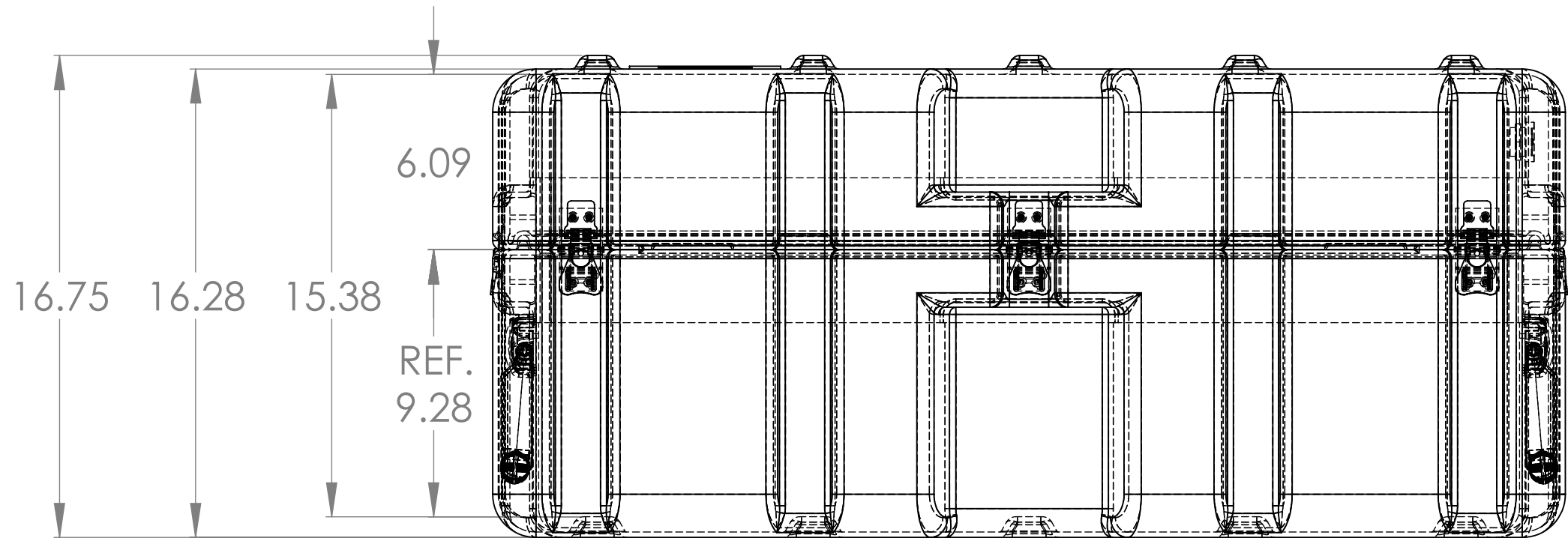
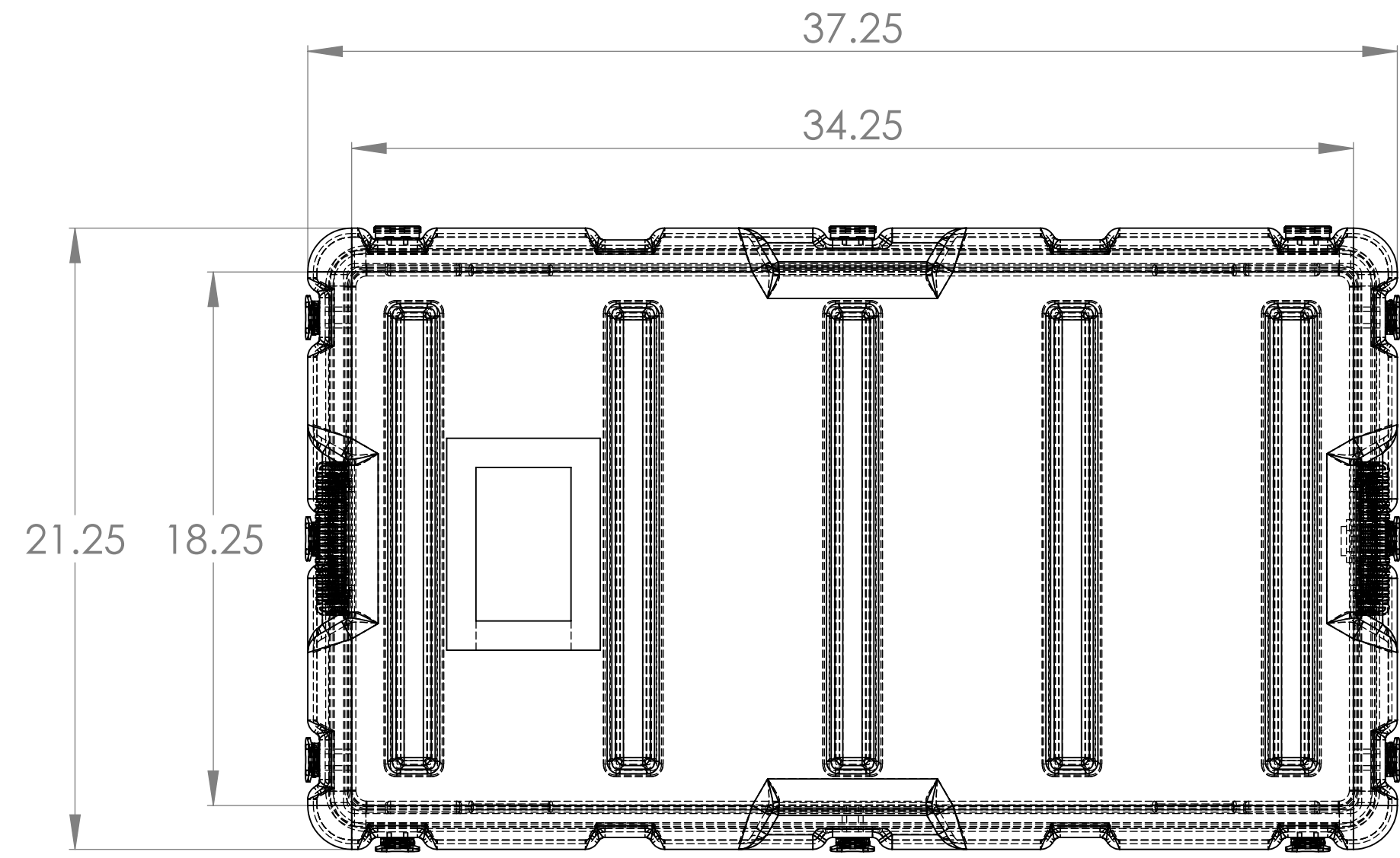
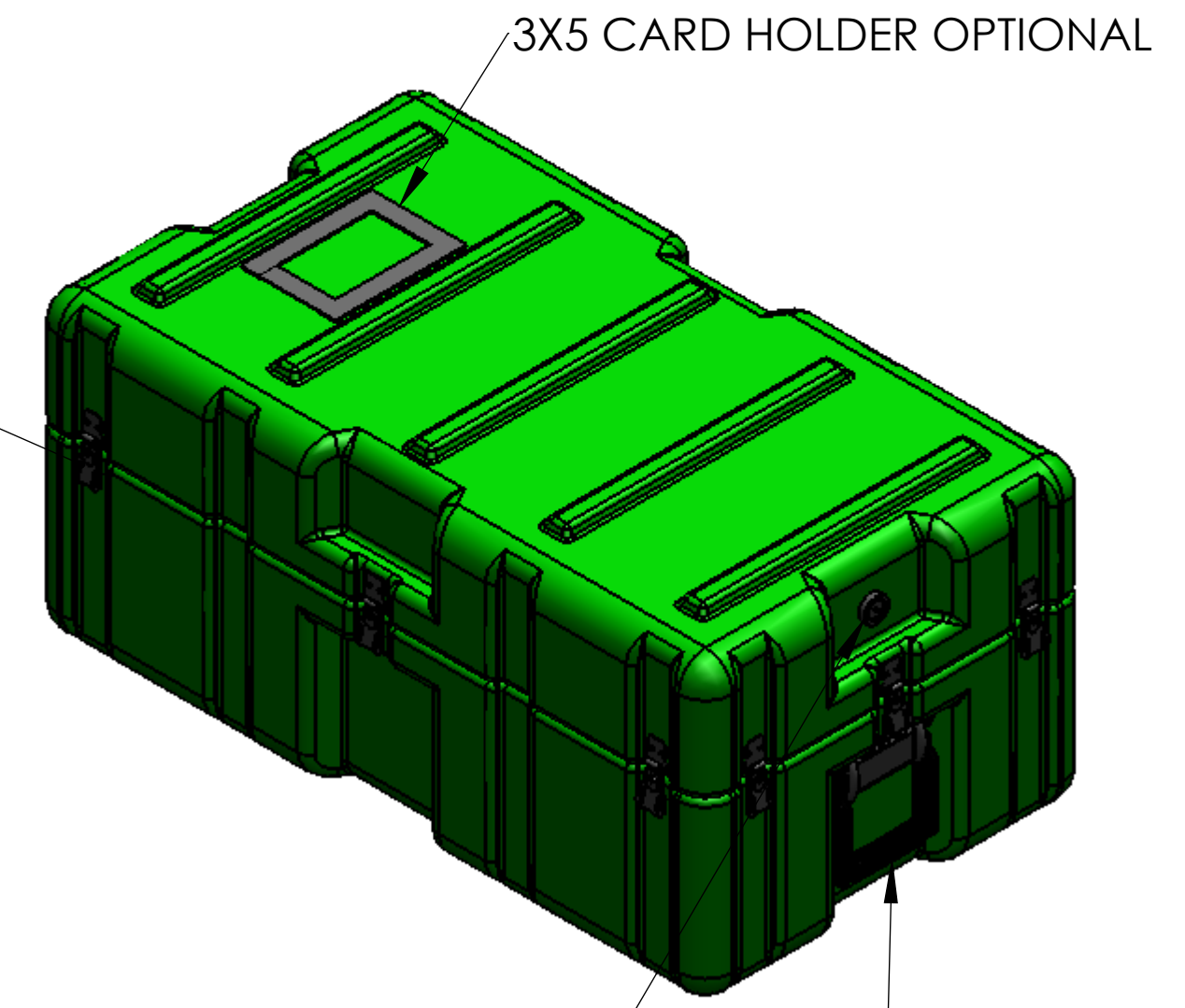


REVISIONS			
LEVEL	DESCRIPTION	APPROVED	DATE



12X STANDARD LATCHES
(OPTIONAL 3X HINGES/9X LATCHES
FOR HINGED LID AVAILABLE)



3X5 CARD HOLDER OPTIONAL

PRESSURE RELIEF VALVE OPTIONAL
(OPTIONAL HUMIDITY INDICATOR AVAILABLE)

2X STANDARD PLASTIC HANDLES
(OPTIONAL SPRING LOADED HANDLES AVAILABLE)

MATERIALS:		DIMENSIONAL TOLERANCES	
ROTOMOLDED POLYETHYLENE		ALL DIMENSIONS IN INCHES UNLESS NOTED OTHERWISE	
		00 - 06"	0.020 + 0.005 * (DIMENSION)
		06 - 50"	0.030 + 0.005 * (DIMENSION)
ONE COMPLETE SET INCLUDES:		ASSEMBLY:	
ONE (1) CASE, AS SHOWN		XXXX	

	NAME	DATE
DRAWN	M SCHRAPP	02/22/10
CHECKED	J THOMSON	
APPROVED	J THOMSON	

AMERIPACK

TITLE:
AMERIPACK
AP3418-1005
ROTOMOLD CASE

SIZE | DWG. NO. | REV
C AP3418-1005

SCALE: N/A | SHEET 1 OF 1

PROPRIETARY AND CONFIDENTIAL
THE INFORMATION CONTAINED IN THIS DRAWING IS THE SOLE PROPERTY OF AMERIPACK. ANY REPRODUCTION IN PART OR AS A WHOLE WITHOUT THE WRITTEN PERMISSION OF AMERIPACK IS PROHIBITED.